



## High Pressure Couplers - Fluid

### Features & Benefits

The OASIS QRC 300 series is an all stainless steel spill-less coupling system. Precisely machined, sprung loaded poppets ensure clean contact, resulting in zero leakage even from the pressurized line.

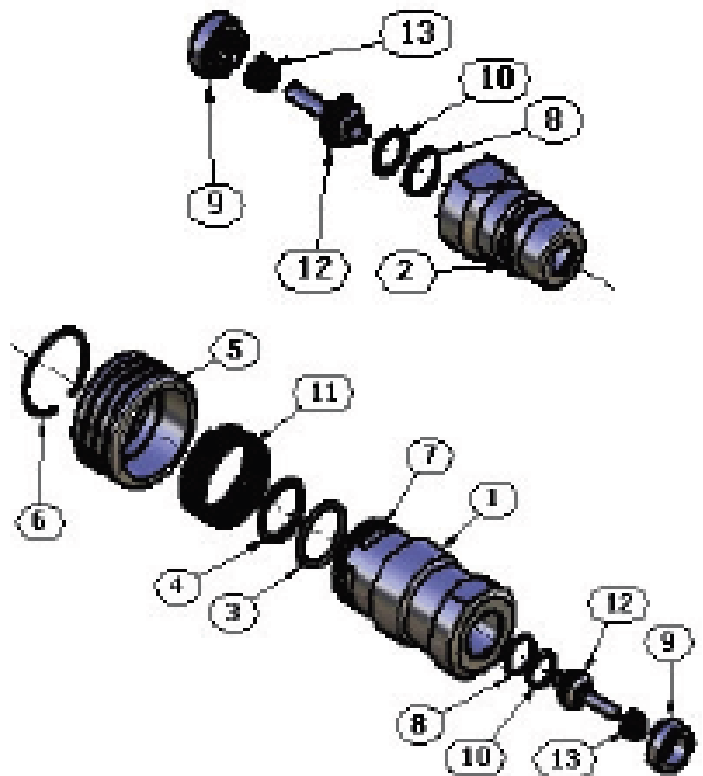
The corrosion resistant stainless steel sleeve, spring, and ball locking system grips securely for thousands of trouble free couplings.

Flow is permitted in both directions. Operating temperature is dependent on O-ring material, standard material is recommended to 165 degrees centigrade. Other options readily available.



### Materials

ITEM	DESCRIPTION	MATERIAL
1	HP QC BODY	T316 Stainless steel
2	HP QC PLUG	T316 Stainless steel
3	BODY O-RING	NITRILE*
4	BACK-UP	NITRILE*
5	SLEEVE	T316 Stainless steel
6	SLEEVE RETAINER	T316 Stainless steel
7	BALL BEARINGS	420 Stainless steel
8	POP O-RING RETAINER	T316 Stainless steel
9	POPPET RETAINER	T316 Stainless steel
10	POPPET O-RING	NITRILE*
11	SLEEVE SPRING	T302 Stainless steel
12	POPPET	T316 Stainless steel
13	POPPET SPRING	T302 Stainless steel





# High Pressure Couplers - Fluid

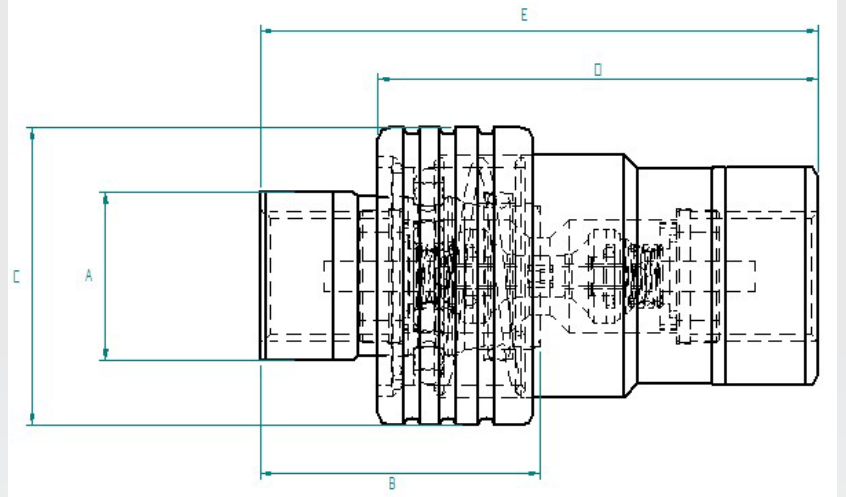
## Application & Specification Information

Hydraulic Oil

High pressure water

Chemical handling

Sanitary food handling applications



## Dimensions

PART CODE	NOMINAL SIZE A	OVERALL LENGTH B	FEMALE OD C
QRC303	10	77.7	38.3
QRC304	12	89.7	40.8
QRC306	20	108.4	50.5
QRC308	25	125.9	60.9
QRC310	32	154.7	71.0
QRC312	38	160.8	79.8
QRC316	50	170.3	104.8

Operating Pressure Range up to 3600 PSI

NPT is standard quoted thread. SAE, BSP ends available or as per customer request.

Quoted price is for complete units (Male & Female). Individual pricing available

All products are manufactured to ISO 9001:2000 standards.

\* Other material available on request