



100 Series Fill Valve Outlet Adaptors & Extensions

Applications

Adaptors and extensions for fitment of nozzles to fill valves.



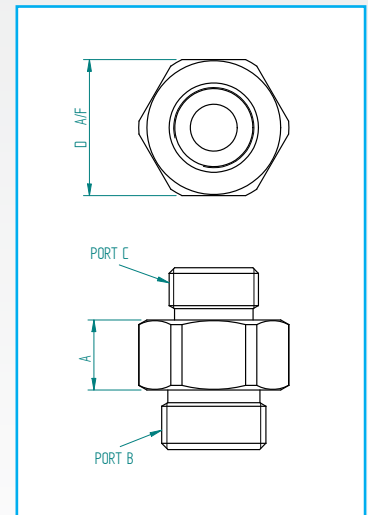
100/50 mm extensions, NC103 and NC104 adaptors

Features & Benefits

- Easy fitment of Oasis nozzles to Oasis fill valves
- 50mm and 100mm nozzle adaptors to increase nozzle reach.

Product Information

- All products are manufactured under ISO 9001 accredited standards.
- With the HIGH FLOW design, this means more gas is dispensed faster to the vehicle, maximising the number of vehicle fills per day and minimising wasted gas.
- Fill valve & fueling nozzle designed to ANSI AGA NGV1 Standard
- An adaptor is required to attached the Oasis nozzle to the Oasis fill valve
- Supplied with nitrile O-rings



Dimensions inch (mm)

Part Code	Length A	Port B	Port C	D A/F
NC103-35	.354 (9)	3/4 - 16 SAE (FV103)	9/16-18 SAE (NC103 P30/P36)	7/8 (22)
NC103-36	1.97 (50)	3/4 - 16 SAE (FV103)	9/16-18 SAE (NC103 P30/P36)	7/8 (22)
NC103-37	3.94 (100)	3/4 - 16 SAE (FV103)	9/16-18 SAE (NC103 P30/P36)	7/8 (22)
SNC104-35	.59 (15)	3/4 - 16 SAE (FV103)	7/8-14 SAE (NC104-200)	1 5/32 (29)