



Sanitary Non-Return Valve

Features & Benefits

The NRV300 series non-return valve is MAF approved sanitary non-return valve. The NRV300 series is a heavy-duty flow control device suited to multiple industrial applications.

Featuring a fully CNC machined poppet assembly precision-fitted in a CNC machined body. The axially acting spring-loaded poppet passes permitted flows with minimal flow resistance. Non-permitted flows are fully arrested by the poppet in the precision machined conical seating face of the valve liner.

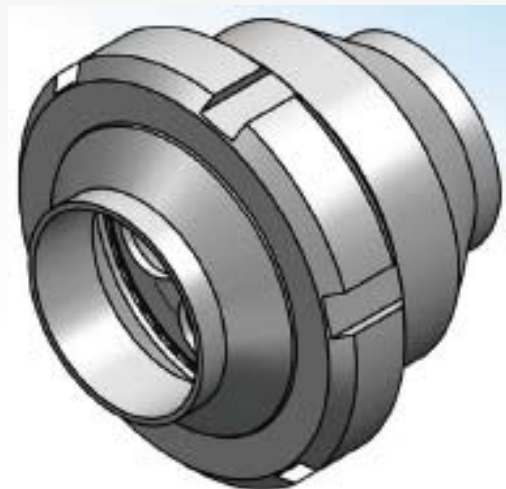
Recessed and crimped poppet O-rings sit truly in the assembly giving a full seal every action.

The NRV300 is fully serviceable in-place with the easy removal of the poppet assembly. Full seals kits and poppet assembly kits are readily available for simple field services.



Materials

REF. #	DESCRIPTION	MATERIAL
NRV3XX-01	Body	316 Stainless Steel
NRV3XX-02	Liner	316 Stainless Steel
NRV3XX-03	Nut	P316 Stainless Steel
NRV3XX-04	Poppet	316 Stainless Steel
NRV3XX-05	Retainer	316 Stainless Steel
NRV3XX-06	Spring	316 Stainless Steel
NRV3XX-sk	Seals & O-Rings	EPDM or Viton Rubber



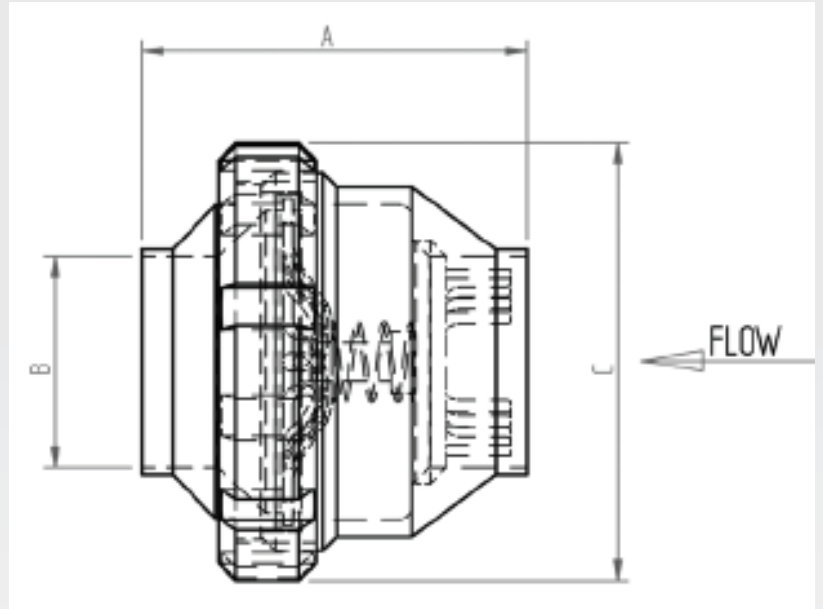


Sanitary Non-Return Valve

Applications and Specifications Information

Extensively used in industries where hygiene is key:

- Dairy Industry
- Fisheries
- Chemical Industry
- Water Treatment
- Temperature rated food handling
- Refrigeration



Dimensions

PART CODE	A	B	C
NRV320	59.8	15.8	45.4
NRV325	66.4	22.2	58.3
NRV338	82.5	34.8	72.5
NRV350	84.5	47.4	85.0
NRV363	98.4	60.0	98.7
NRV376	114.0	73.1	123.0
NRV3100	187.6	98.3	147.4

Opening Pressure 3kPa

Maximum Temperature 1300 C

Minimum Temperature - 100 C

Pressure Rating 1000 PSI (10 Bar)

Butt weld 16 gauge tube is standard quoted connection. Other connection types available on request including RJT.

Replacement kits readily available

Manufactured under ISO9001:2000 standards.