



Sanitary Swivels

Features & Benefits

In fully welded food or milk pipelines the Oasis stainless Sanitary Swivel is the robust and reliable solution for adjusting or rotating pipe work.

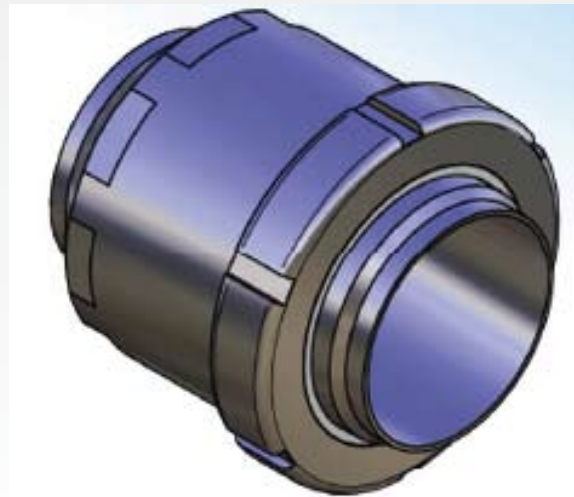
The Sanitary Swivel is fully serviceable in-situ without the need for special tools. Spare part readily available.

The fully machined and polished food contact surfaces are factory checked to meet the required surface smoothness, typically Ra of 0.80µm (32µin).



Materials

COMPONENT	MATERIAL
Body	T316 Stainless steel
Liner	T316 Stainless steel
Nut	T316 Stainless steel
Thrust	PTFE
Seal	EPDM/PTFE
Bush	PTFE
O-ring	EPDM or Nitrile
Energiser Rising	EPDM

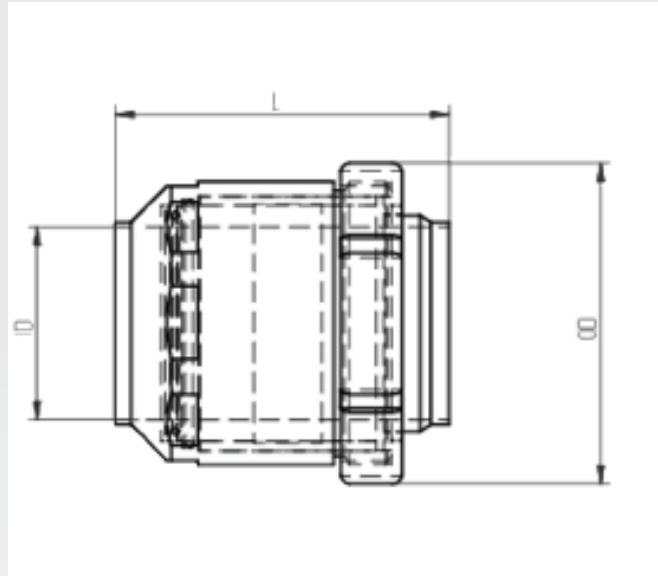




Sanitary Swivels

Application & Specification Information

- Purpose designed for sanitary food handling applications including Milk reticulation.
- Fisheries & marine application
- Water treatment
- Food manufacture



Dimensions (mm)

Part Code	ID	OD	L
SAS025	22	53	58
SAS038	35	80	98
SAS050	48	90	111
SAS076	74	121	125
SAS100	98	139	153

Connections: Butt Weld is standard. Other connections available on request.

Working Pressure: 1300 psi

Temperature Rating: Dependant on seal type

All products are manufactured to ISO 9001:2000 standards