



Swivel Unions

Features & Benefits

Designed for low pressure applications these swivels are highly customisable.

Available in either brass, aluminum, mild or stainless steel.

Standard end connections can be replaced with tube weld, swaged hose tail or different standardized thread options.

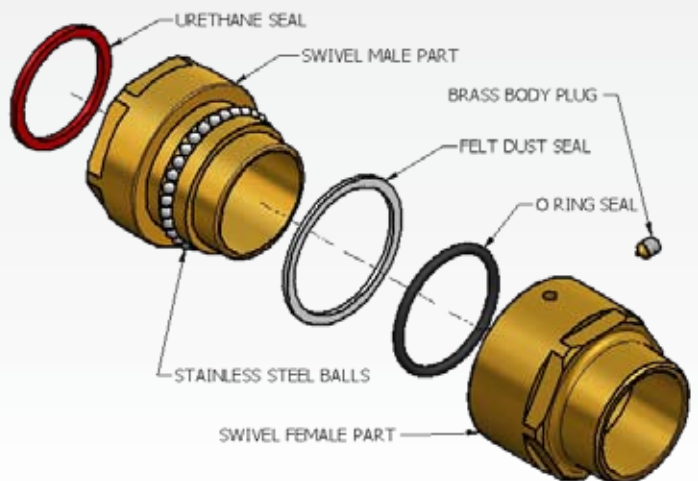


Materials

DESCRIPTION	MATERIAL
Body	Brass*
Seal	Urethane
O-Ring	Nitrile
Ball	Stainless Steel

*Other body material available including Aluminium or Stainless Steel

Other seal/O-ring configurations are available on request

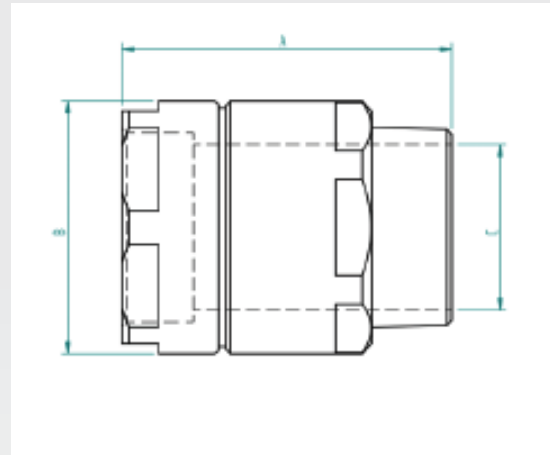




Swivel Unions

Application & Specification Information

These brass swivels are suitable in low-pressure applications, hose reels, fuel nozzles, pump to hose connections, hot bitumen lines etc.



Dimensions (mm)

Part Code	A	B	C
BSU020	55	38	19
BSU025	61	47	25
BSU032	60	53	31
BSU038	75	63	37
BSU050	108	112	50
BSU076	133	112	76

All dimensions are in mm

BSPP Female & BSPT Male tread is standard quoted option. Other thread or connection configurations available on request.

Working pressure: 200 PSI

Temperature rating dependant on seal type

1. Urethane
2. PTFE
3. Other: Customised to your specifications

All Product Manufactured under ISO9001:2000 standards.