



Breakaway Coupler

Features & Benefits

Designed to facilitate the breaking of the fill hose when under strain, the Oasis Breakaway offers the highest flow rate in the market.

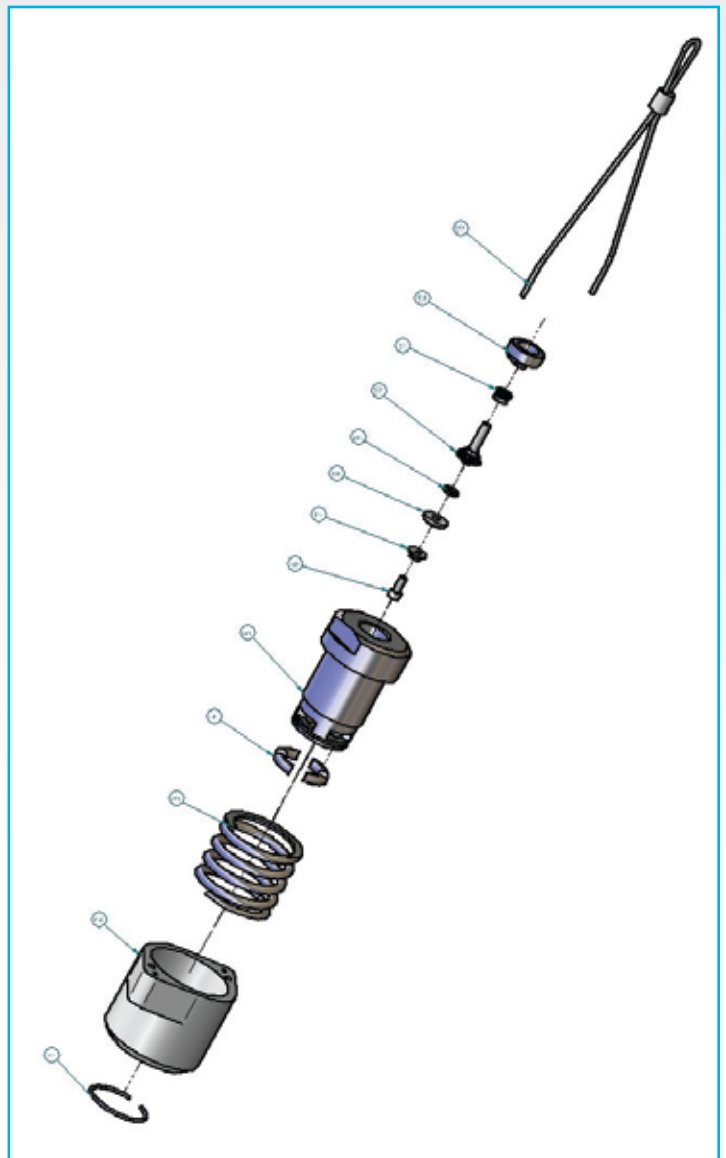
Hardened segment connection system increases connection surface area 17 – 32 times (pending size) over standard “ball type” designs. This significantly reduces “race” wear on the male.

No-Spill spring loaded poppets in both male and female sections.

Wire gimble design gives 360 degree movement without changing “break” functionality.

Available as male or female components if required.

Fully serviceable with spare part kits common to the Oasis Quick Release coupling, reducing inventory costs.



Materials

ITEM	DESCRIPTION	MATERIAL
1	Sleeve Retainer	T304 Stainless Steel*
2	Sleeve	T304 Stainless Steel*
3	Breakaway Spring	T304 Stainless Steel*
4	Segment	420 Stainless Steel
5	Body	T304 Stainless Steel*
6	Poppet Screw	T304 Stainless Steel*
7	Poppet Cap	T304 Stainless Steel*
8	Poppet Seal	PTFE**
9	Poppet O-ring	Nitrile**
10	Poppet	T304 Stainless Steel*
11	Poppet Spring	T304 Stainless Steel*
12	Poppet Retainer	T304 Stainless Steel*
13	Gimble Wire	T304 Stainless Steel*

** Other material available.

* T316 Stainless Steel available on request.



Breakaway Coupler

Application & Specification Information

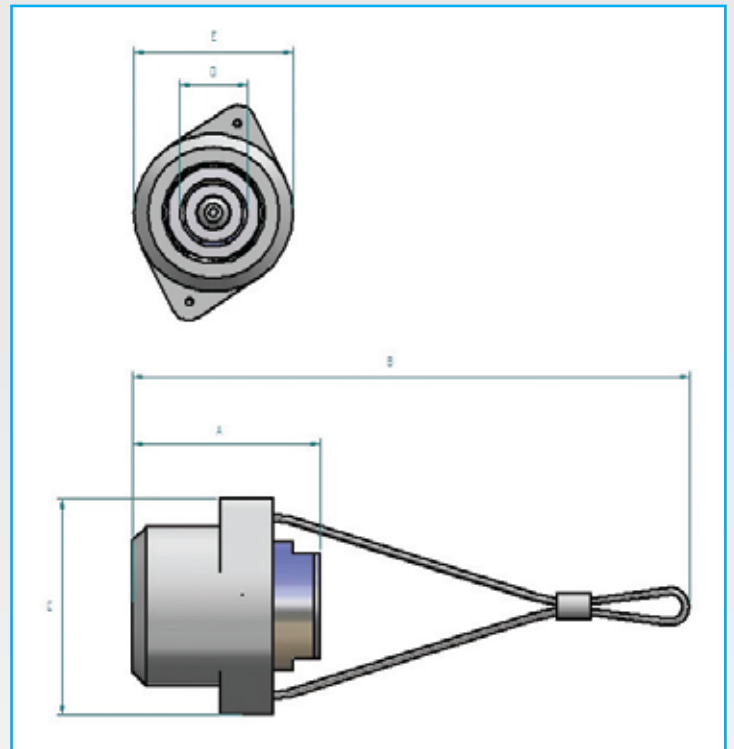
CNG Dispensers.

Car/Bus/Truck Fill Posts.

Trailer Load/Unload systems.

Note: Wire gimbled assembly may be replaced with user defined sleeve. Talk to us Engineer to Engineer to craft a solution that works for you.

* Female OD will vary with sleeve coupling type (as above).



Dimensions (mm)

Part Code	A	B	C	D	E	K_v^*	C_v^{**}
BC104	71	210	84	25	60	2.4	2.8
BC108	In final proofing. Talk to Oasis.					7	8.1

K_v^* = cm³/hr-bar.

C_v^{**} = USGPM-PSI.

Operating Pressure Range up to 6000 PSI /410 Bar.

Quoted price is for complete units (Male & Female). Male or Female available separately.

NPT female is standard quoted thread. SAE, BSP & custom ends available as per customer request.

Standard break pressure is 55 Kg of force. Custom loading available on request.

All products are manufactured under ISO 9001:2000 standards from certified stainless steel bar stock.

3/8", 3/4" & 1 1/2" quotes available on request.

ISO 7241-1 (B) profile, "Oasis" profile or custom profiles available.