



Double Acting Valve

Features & Benefits

Independently actuated valves, giving total flow control, supplied either with handles, actuator ready or including actuators.

Dual flow control valve integrating the full flow, floating ball design of Oasis Engineering.

Utilizes the standard Oasis spare part kits. Easily installed & readily available. Visit www.OasisNGV.com for a step by step guide.

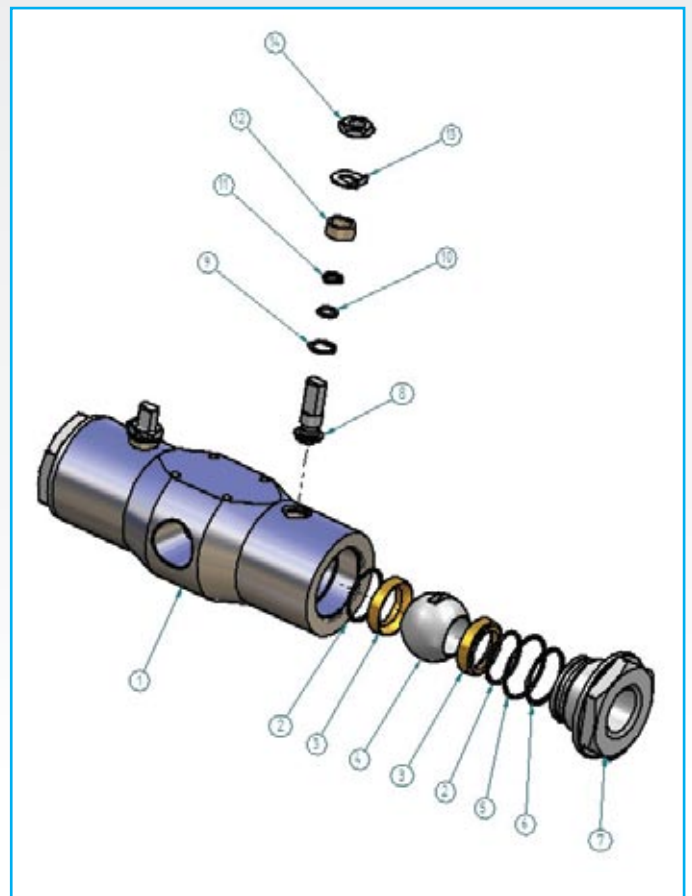
Totally customisable design that may incorporate check valves and different seat configurations to suit your pressure and chemical composition.

Talk to Oasis, Engineer 2 Engineer, to discuss manifold options as well.



Materials

ITEM	DESCRIPTION	MATERIAL
1	Body	T304 Stainless Steel*
2	Seat O-ring	Nitrile**
3	Seat	Delrin AF†
4	Ball	T316 Stainless Steel
5	Cap O-ring	Nitrile**
6	O-ring Backup	Nitrile**
7	Cap	T304 Stainless Steel*
8	Stem	T316 Stainless Steel
9	Thrust Washer	Delrin AF†
10	O-ring	Nitrile**
11	O-ring Backup	Nitrile**
12	Gland	Delrin AF†
13	Locking Tab	T304 Stainless Steel*
14	Half Nut	T304 Stainless Steel*



* T316 Stainless Steel available on request.

** PEEK available on request.

† Viton Available on request.



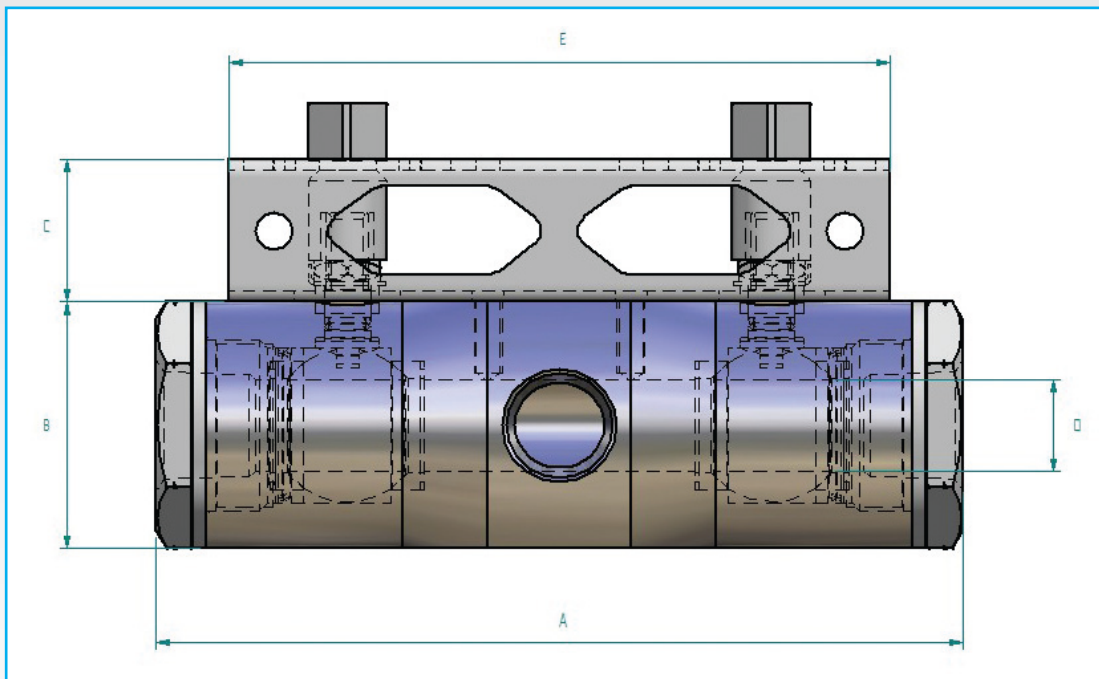
Double Acting Valve

Application & Specification Information

High Flow Dispenser Manifolds.

Single Line Cascade/Forecourt Management.

Applications where multiple fluids require control at high pressure.



Dimensions (mm)

Part Code	A	B	C	D	E
DV103					
DV104					
DV104					

To your specification

Standard seat configuration operating pressure range 800 PSI to 6000 PSI. Full pressure seat configuration (shown in exploded diagram) gives sealing pressure range from 7 PSI to 6000 PSI.

Burst Pressure > 20000 PSI.

NPT female is standard quoted thread. SAE, BSP available or as per customer request.

Actuator ready (pictured), actuated or manual option's available on request.

All products are manufactured to ISO 9001:2000 accredited standards.