



## 700 Series Lock-out Handle Option

### Features & Benefits

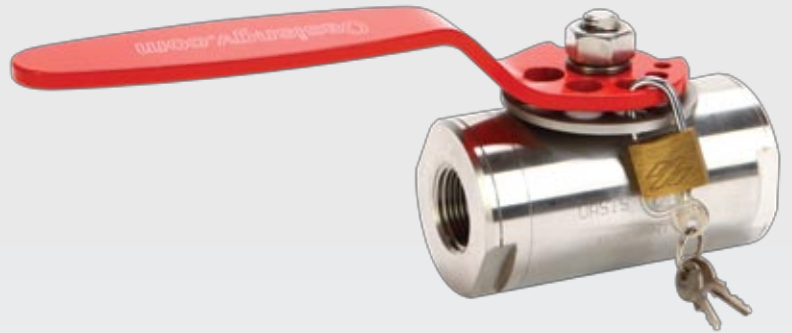
All of the known and trusted features of the Oasis full flow ball valves.

Fully secure locked handle positions (on or off).

Can be retro fitted to any standard Oasis model.

User specific lock.

All products are manufactured under ISO 9001:2000 standards.



### Materials

PART CODE	DESCRIPTION	MATERIAL
SBV504-06LH	Lock-out handle suits 3/8" & 1/2" valves	T304 Stainless Steel*
SBV504-06LH	Lock-out security plate 3/8" & 1/2" valves	T304 Stainless Steel*
SBV506-06LH	Lock-out security plate only. Suits 3/4" & 1" valves	T304 Stainless Steel*

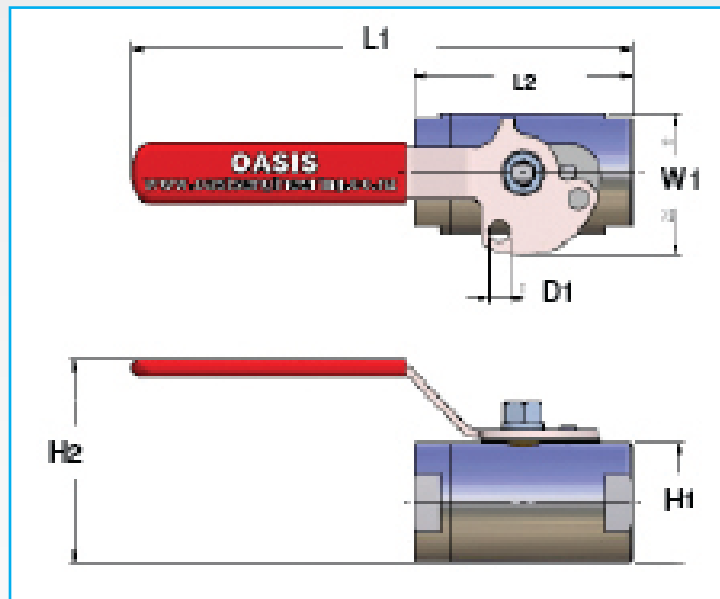
\* T316 Stainless steel available on request.



## 700 Series Lock-out Handle Option

### Application & Specification Information

- CNG transporters and CNG trailers.
- CNG storage isolators.
- CNG pipe-work in potentially tamper-prone areas.
- Other size options available.



### Dimensions (mm)

PRODUCT	H1	H2	W1	L1	L2	D1
SBV704 - LH	45	64	44	166	72.5	7
SBV706 - LH	55	90	60	232	100	7