



700 Series Ready-to-Mount Valve

Features & Benefits

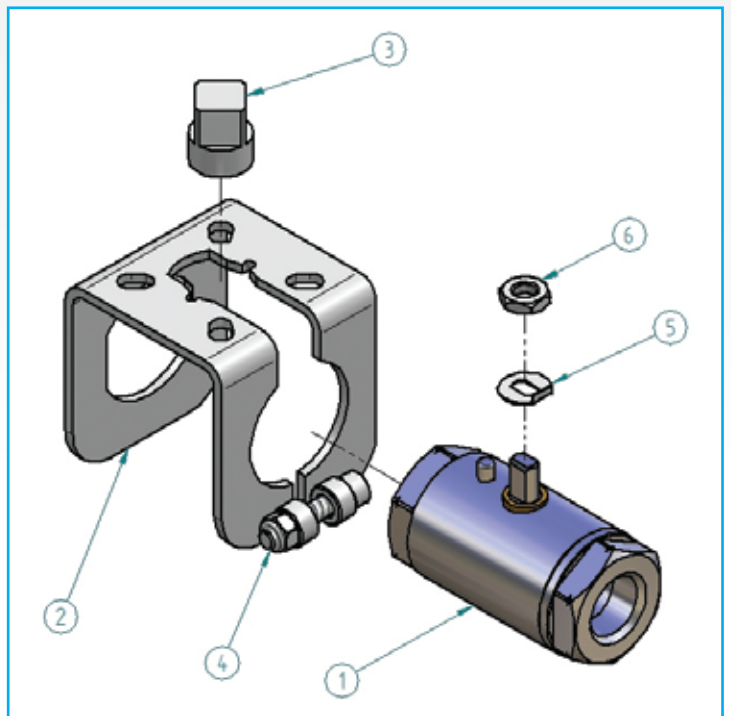
- Rigid light-weight 304 Stainless steel mounting bracket.
- Floating drive dog for vibration dampening - extending life of stem.
- Mounting hole pattern suits ISO bolt patterns.
- All stainless steel for durability and corrosion resistance
- Accurate alignment between actuator and valve resulting in minimal stem wear.
- Practical, simple assembly and servicing using standard Ball Valve seal kits, allowing field servicing with a reduced spare parts inventory.
- Custom drive dogs available on request.



Materials

ITEM	PART	MATERIAL
1	Ball Valve	As per valve specification
2	Bracket	T304 Stainless steel*
3	Drive Dog	T304 Stainless steel*
4	Clamping Bolt & Nut	T304 Stainless steel*
5	Valve Half nut	T304 Stainless steel*
6	Stem nut anti-slip	T304 Stainless steel*

* T316 SS available on request.





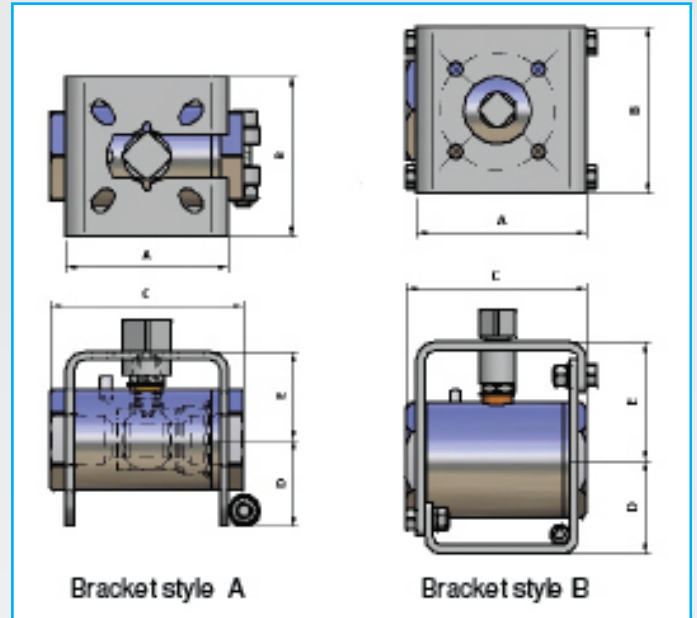
700 Series Ready-to-Mount Valve

Applications

- Dispenser Control Valves.
- Compressor blow down.
- Safety Isolation.
- Trailers.
- Priority Panels.

ISO BOLT PATTERNS

F03	4x M5 on 36PCD
F04	4x M5 on 42PCD
F05	4x M5 on 50PCD
F07	4x M5 on 70PCD
F10	4x M10 on 102PCD



Dimensions (mm)

PART	VALVE SIZE	BRACKET STYLE	A	B	C	D	E	ACTUATOR BOLT PATTERN	DRIVE SIZE
BVAC02	BV702	A	47	58	50	30	28.5	F03/F04	9, 11
BVAC03	BV703	A	53	65	59	28	30.5	F04/F05	11,14
BVAC04	BV704	A	61	60	72.5	33	33	F04/F05	11, 14, 17
BVAC06	BV706	B	97	80	100	49	66	F07	14, 17, 22
BVAC08	BV708	B	97	100	108	55	71	F07	14, 17, 22
BVAC10	BV710	B	110	100	113	60	71	F07	14, 17, 22
BVAC12	BV712	B	130	120	136	72	78	F07/10	14, 17, 22

Drive dogs for either Rotex or Air Torque are standard.

Custom drive dogs available on request.

Pricing is for valve, dog & bracket.

Suitable for all Oasis valve options.