



200 Series Check Valves

Applications

Unidirectional flow applications such as CNG Dispensers, Fill Panels, Priority Panels, Compressors, Trailers and Service Stations. Suitable for CNG, Helium, Bio-Gas, Nitrogen, Air and other gases on request.



CV203-4NDSN - 3/8" Check Valve NPT

Materials

| Item | Part | Material |
|------|-----------------|---------------------|
| 1 | Body | 304 Stainless steel |
| 2 | End Cap | 304 Stainless steel |
| 3 | Poppet body | 316 Stainless steel |
| 4 | Poppet seal | Delrin |
| 5 | Poppet O-ring | Nitrile |
| 6 | End Cap O-rings | Nitrile |
| 7 | Poppet spring | 302 Stainless steel |

Features & Benefits

Stainless steel two-piece, serviceable check valve that sets the standard in flow rates.

Precision manufactured from certified bar stock, ensuring endurance and reliability in any application.

Easy to install service kits are readily available.

Product Information

NPT thread is standard configuration. Other threads available upon request.

NPT threads conform to ASME B1.20.1.

All products are manufactured under ISO 9001 accredited standards.

Springs with different cracking pressures available upon request, minimum order quantities may apply.

Designed for unidirectional flow.

PED 97/23/CE approved.

Video servicing instructions available online at www.OasisNGV.com/resources.

We reserve the right to modify product specifications without prior notice.



200 Series Check Valves

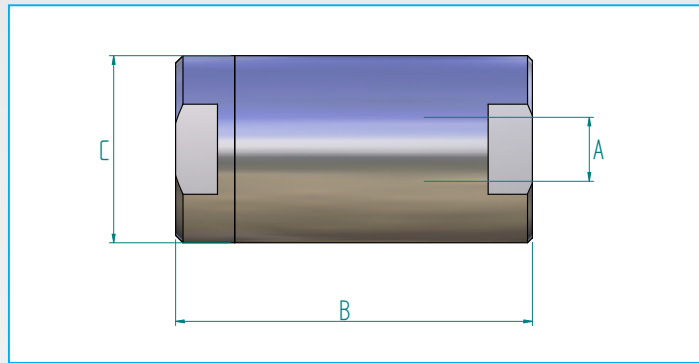
NPT Product Specification

| Part Code | Mass lb (kg) | Min. Crack Pressure psi (bar) * | Max. Operating Pressure psi (bar) ^ | Min. Temp. °F (°C) | Max. Temp. °F (°C) | Cv | Service Kit Ordering Number |
|-------------|-----------------|---------------------------------------|---|--------------------------|--------------------------|----|--------------------------------|
| CV203-4NDSN | 0.7 (0.3) | 2 (0.14) | 6000 (410) | -40 (-40) | 185 (85) | 3 | CV203-SKDSN |

* Minimum upstream pressure at which the valve will operate.

^ Maximum pressure at which the product can continuously operate at.

Dimensions:



NPT Dimensions: Imperial (mm)

| Part Code | Thread Type | Bore | Length | Diameter |
|-------------|-------------|----------|-----------|-------------|
| | | A | B | C |
| CV203-4NDSN | 3/8" NPT | 0.35 (9) | 2.28 (58) | 1.25 (31.5) |