



Member of the ELAFLEX Group



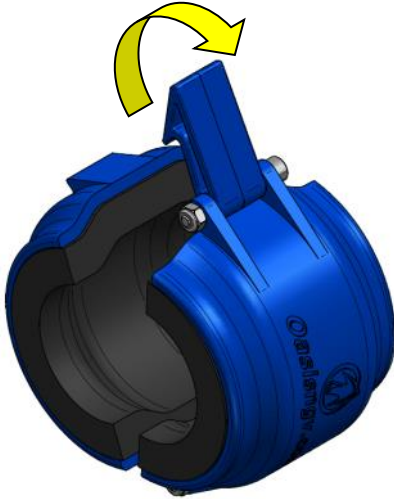
# **HC308-COVER**

## **1" Quick Coupler Ice Cover**

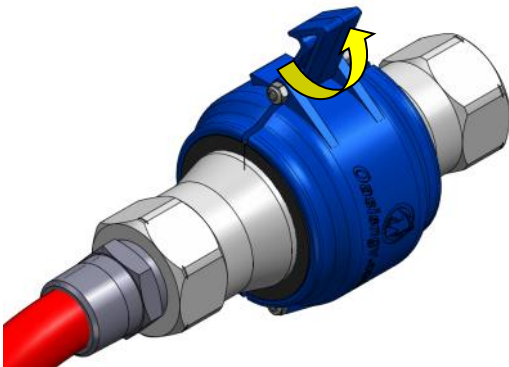
### **Instruction Manual**

Oasis Engineering Ltd  
129 Birch Avenue, Tauranga, New Zealand.  
T: +64 7 928 3808 F: +64 7 928 3809  
E: [info@oasisNGV.com](mailto:info@oasisNGV.com)  
W: [www.OasisNGV.com](http://www.OasisNGV.com)

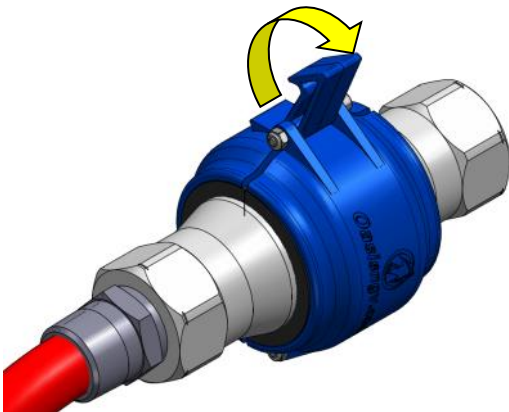
1. Open the ice cover latch.



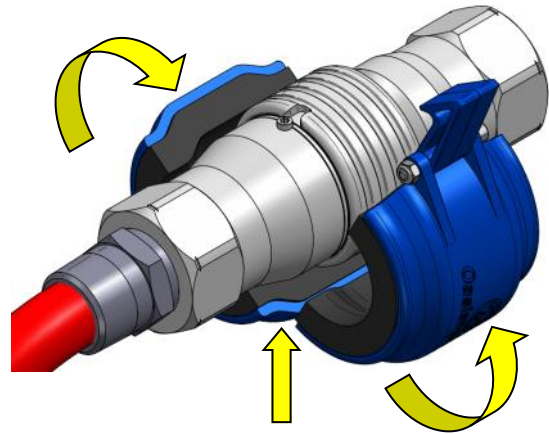
3. Close the cover latch.



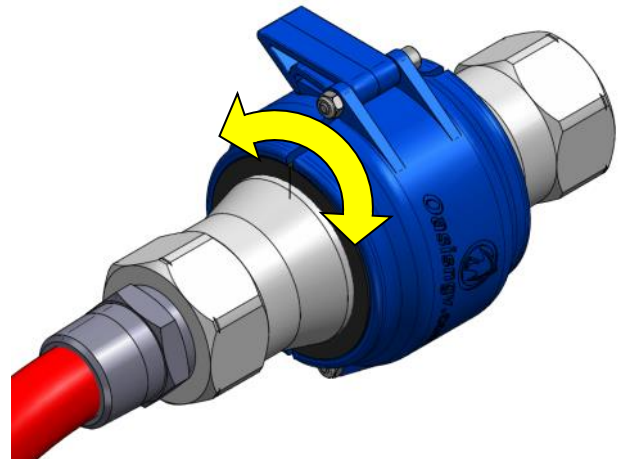
5. After use, unlock the latch.



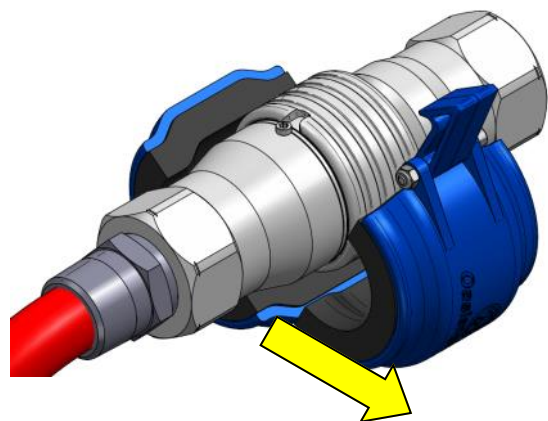
2. Place around coupler ensuring it sits evenly over the connection. Keep pressure underneath cover when connecting.



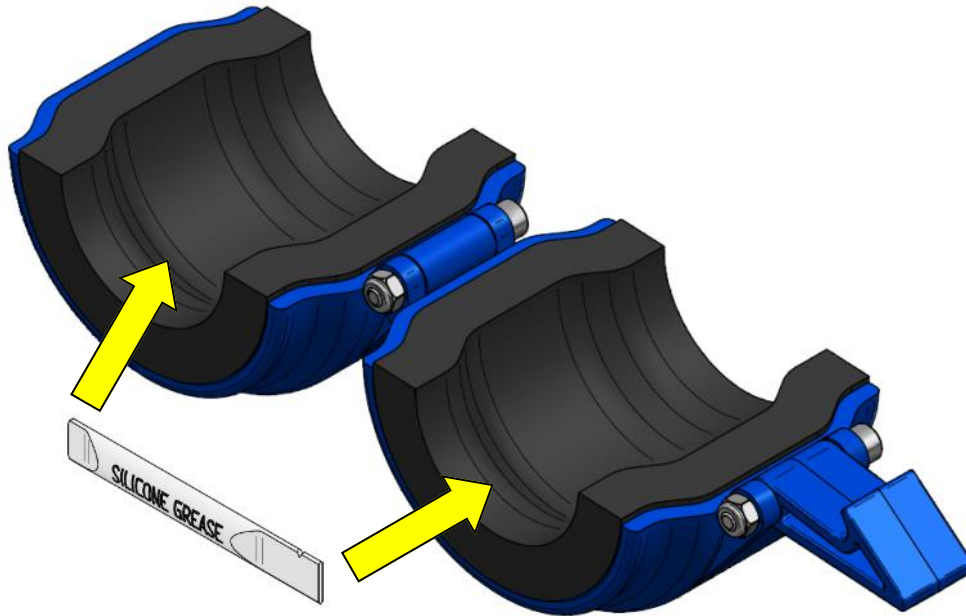
4. Twist cover back and forward to ensure a good seal is created around the coupler.



6. Open cover and remove from coupler.



To prevent the neoprene insert from sticking to the coupler in use, silicone grease or similar can be applied to the neoprene to maintain a water repellent, non-stick surface.



Although the cover is weather resistant, it is recommended to keep the cover out of the ambient environment and clean from debris when not in use. This will help the cover to provide better performance when required and extend its lifetime.

