



Vat Outlet Valve

Applications

Milk Storage Vats



BFV-100 - Vat Outlet Valve

Materials

Description	Material
Valve body	316 Stainless Steel
Seals	White Silicone FDA

Product Information

- Milk vat outlet valve with integrated butterfly valve.
- FDA 177.2600 compliant seals.
- All products are manufactured to ISO 9001 standards.
- Handle adjustable over 90° movement.
- Product comes with 4" RJT Seal (not shown).

Features & Benefits

Fully machined and purge welded to maintain hygienic standards.

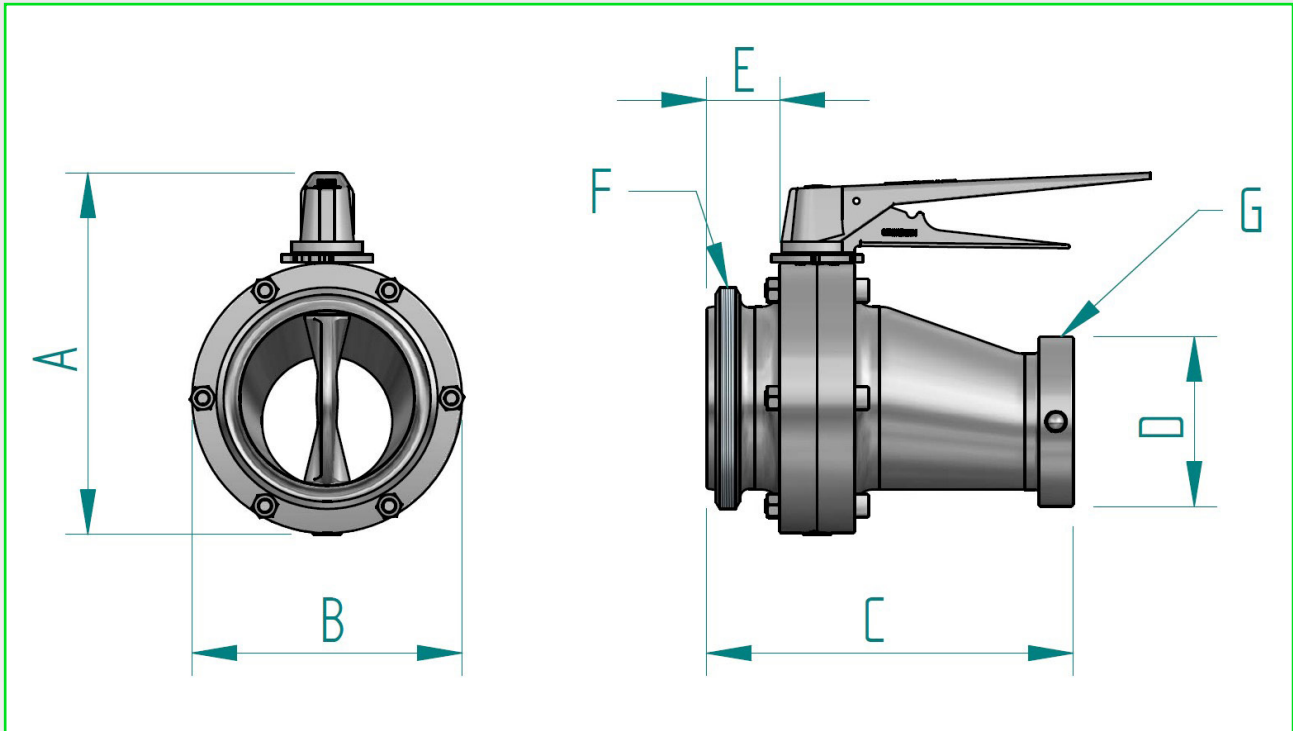
Oasis has been producing equipment for the New Zealand Dairy Industry for over a quarter of a century.

Easy installation and retrofittable to existing systems.

Service kits available.



Vat Outlet Valve



Dimensions (mm):

Part	Size	A	B	C	D	E	F	G
BFV-100	DN100 (4")	202.7	151	198 (Nominal)	95	40	4" RJT	3" BAYONET MALE

Product Specification

Part Code	Mass kg (lb)	Max. Operating Pressure bar (psi)	Max. Temperature °C (°F)	Service Kit Ordering Number
BFV-100	5.05 (11.13)	10 (145)	180 (356)	BFV-100SK