



700 Series Ball Valves - Panel Mount

Applications

CNG Compressors, Dispensers, Priority Panels, Isolation Valves, CNG storage.

Suitable for use with CNG, Helium, Bio-Gas, Nitrogen, Air and other gases on enquiry.



BV706-4S6LDDN-M4A0 - 3/4" Ball Valve Panel Mount

Materials

Item	Part	Material
1	Body	304 Stainless steel
2	Cap	304 Stainless steel
3	Stem	316 Stainless steel
4	Ball	316 Stainless steel
5	Seats	Delrin

Item	Part	Material
6	Gland & Thrust	Delrin
7	Body O-rings	Nitrile
8	Stem O-rings	Nitrile
9	Seat O-rings	Nitrile
9	Handle	304 Stainless Steel
10	Bracket & Bolts	304 Stainless Steel

Product Information

Custom handle options available on request.

NPT/SAE threaded ports available from stock. Other thread types available upon request.

NPT threads conform to ASME B1.20.1.

SAE threads conform to SAE J1926-1.

All products are manufactured to ISO 9001 standards.

Complies to PED 2014/68/EU.

CRN (OC14989.59870YTNADD1 & OC12117.2) approved for all provinces.

Video servicing instructions available online at www.OasisNGV.com/resources.

Features & Benefits

The 700 Series Ball Valve is a FULL FLOW, Anti Blowout stem, all stainless steel certified bar stock, two-piece, serviceable valve.

Service kits are readily available & easy to install.

CNC machining allows tighter tolerances to be maintained, which extends the working life of the components.

The complete Oasis range has been cycle tested to ensure LOWEST LIFE COST.



700 Series Ball Valves - Panel Mount

Product Specification

Part Code	Mass lb (kg)	Min. Operating Pressure bar (psi) *	Max. Operating Pressure bar (psi) **	Min. Temp. °F (°C)	Max Temp. °F (°C)	Cycles Before Rekit [^]	Stem Open Torque ft-lb (Nm) ^{^^}	Cv	Service Kit
BV706-4S6LDDN-M4A0	6.3 (2.9)	0.5 (7)	410 (6000)	-40 (-40)	185 (85)	100,000	22.8 (31)	31	BV706-SK6LDDN-PM1-S
BV706-4N6LDDN-M4A0	6.3 (2.9)	0.5 (7)	410 (6000)	-40 (-40)	185 (85)	100,000	22.8 (31)	31	BV706-SK6LDDN-PM1

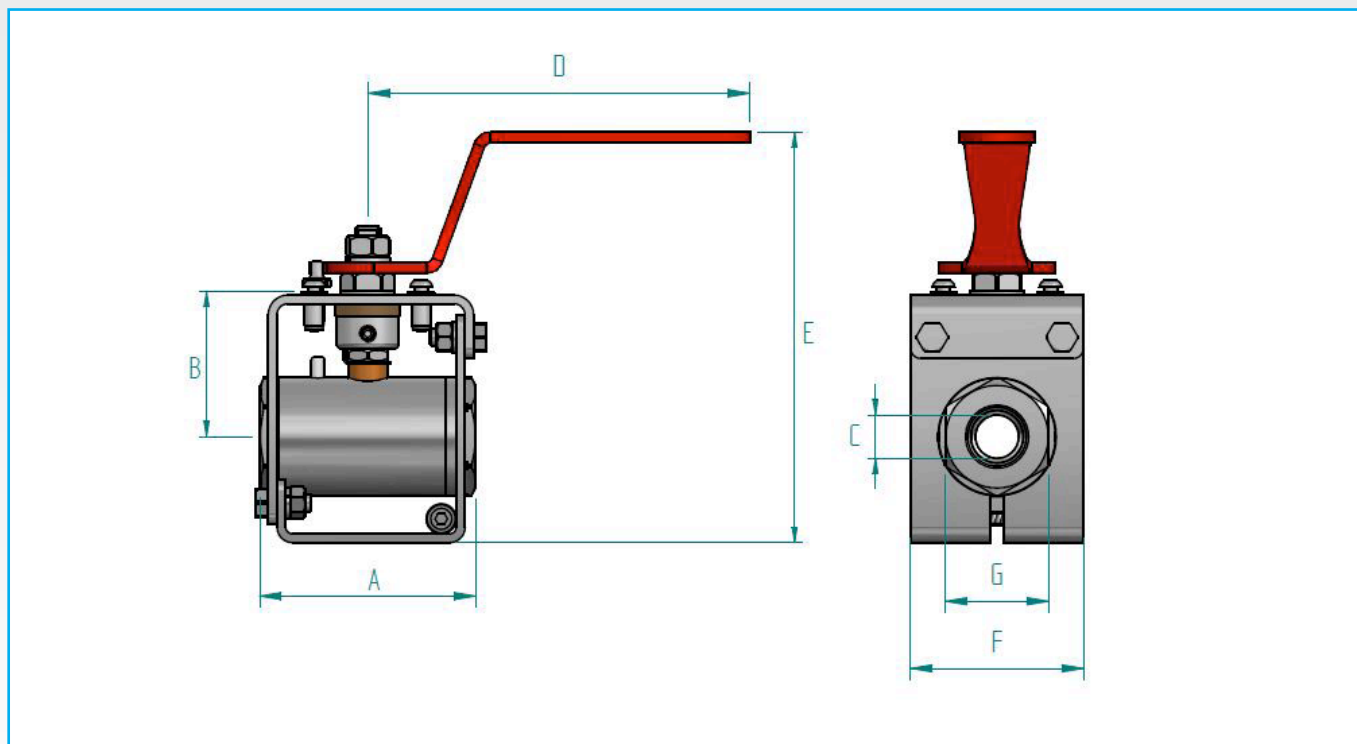
* Minimum system pressure the product will hold constant bubble tight seal.

** Maximum pressure at which the product can constantly operate at.

[^] It is recommended that the ball valve is re-kitted on or before the maximum number of allowable cycles.

^{^^} Opening torque at 6,000 psi

Dimensions Inch (mm)



Part Code	Size	A	B	Ø C	D	E	F	Port Thread	G (A/F)
BV706-4S6LDDN-M4A0	3/4"	3.9 (100)	2.64 (67)	.78 (20)	6.9 (177)	7.48 (190)	3.15 (80)	1 1/16-12 SAE FEMALE	1.9 (48)
BV706-4N6LDDN-M4A0	3/4"	3.9 (100)	2.64 (67)	.78 (20)	6.9 (177)	7.48 (190)	3.15 (80)	3/4-14 NPT FEMALE	1.9 (48)