



100 Series Cylinder Valve With Commissioning Port

Applications

- Suitable for CNG, Hydrogen, Helium, Bio-Gas and Air
- Bulk gas trailers (cylinders or spheres)
- Bulk gas cylinder storage stacks
- Gas vehicle cylinder stacks
- Fast fill cylinder stacks
- Truck fuel systems

Product Information

- All products are manufactured to ISO 9001:2015 standards.
- Product tested to ANSI NGV 3.1:2014 - CSA 12.3-2014.
- Quarter turn handle.
- SAE threads conform to SAE J1926-1.
- Commissioning Plug allows the cylinder to be isolated for testing. Part # XTH104-73.
- Can be manufactured to your specifications, contact us for details.
- Other end cap and cylinder fitting options available.
- Includes a live PRD port, PRD not included.
- More product information available online at oasisngv.com/resources.



TH104 - 1/2" Cylinder Valve With Commissioning Port

Materials

| Part | Material |
|------------------|---------------------|
| Body/Cap | 304 Stainless steel |
| Handle | 304 Stainless Steel |
| Ball and Stem | 316 Stainless steel |
| O-rings | Nitrile |
| Seats and Glands | Delrin |



Fitted Cylinder Valve

Product Specification

| Part Code # | Size | Mass lb (kg) | Min. Operating Pressure psi (bar) * | Max. Operating Pressure bar (psi) ** | Min. Temp. °F (°C) | Max. Temp. °F (°C) | Service ^ | Stem Open Torque ft-lb (Nm) ^^ | Cv | Service Kit |
|--------------------|------|--------------|-------------------------------------|--------------------------------------|--------------------|--------------------|-----------|--------------------------------|-----|-------------|
| TH104-42D1510-1000 | 1/2" | 2.4 (1.1) | 90 (6.2) | 410 (6000) | -40 (-40) | 185 (85) | 5 Years | 3.3 (4.5) | 6.0 | TH104-SK2 |

* Minimum pressure that the product will hold constant bubble tight seal.

** Maximum pressure at which the product can continuously operate at.

^ Although unnecessary, it is recommended best practice to re-kit the valves during routine cylinder inspection which is typically every 5 years.

^^ Opening torque at 6,000 psi

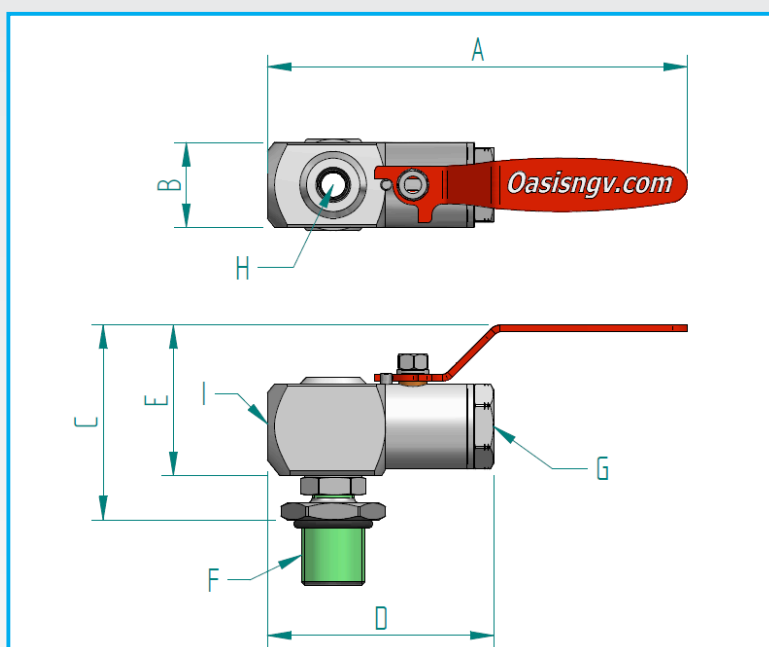


100 Series Cylinder Valve With Commissioning Port

Dimensions:

| Part Code | A | B | C | D | E |
|--------------------|---------------|--------------|--------------|---------------|--------------|
| TH104-42D1510-1000 | 7.48" (190mm) | 1.49" (38mm) | 2.99" (76mm) | 4.02" (102mm) | 2.20" (56mm) |

| Part Code | F (CYLINDER) MALE THREAD | G (END CAP) FEMALE THREAD | H (COMMISSIONING PORT) FEMALE THREAD | I (PRD/LIVE PORT) FEMALE THREAD | PRD TYPE |
|--------------------|--------------------------|---------------------------|--------------------------------------|---------------------------------|------------------------------|
| TH104-42D1510-1000 | 1 1/8-12 UNF | 3/4-16 SAE | 9/16-18 SAE | 3/4-16 SAE | CUSTOMER SUPPLIED REMOTE PRD |



Accessories:

| Part Code | SAE Thread Size | Mass Oz (g) | Stainless Steel Material | Hex Size | Min. Operating Pressure psi (bar) * | Max. Operating Pressure bar (psi) ** | Min. Temp. °F (°C) | Max. Temp. °F (°C) |
|-----------|-----------------|-------------|--------------------------|----------|-------------------------------------|--------------------------------------|--------------------|--------------------|
| TH104-73 | 3/8" | 1.3 (36) | 316 | 1/4" | 90 (6.2) | 410 (6000) | -40 (-40) | 185 (85) |

Can powder coat plug head on your request to your custom safety color.

* Minimum pressure that the product will hold constant bubble tight seal.

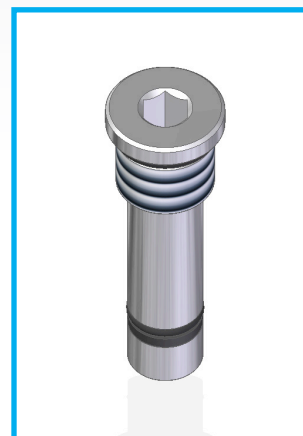
** Maximum pressure at which the product can continuously operate at.

O-Rings that are supplied with the TH104-73:

Imperial 011 Nitrile 90 x1

Imperial 011 Back-up Nitrile 90 x1

Imperial 906 Nitrile 90 x1



TH104-73 Commissioning Plug



100 Series Cylinder Valve With Commissioning Port

Oasis Cylinder Valve vs Standard Wheel Valve Flow Area Comparison

