



# N-CNG Series CNG Nozzles

## Applications

Fast fill public and private CNG stations



N-CNG P30/P36 CNG Nozzles

## Materials

Item	Part	Material
1	Body	Aluminium
2	Swivel	Stainless Steel
3	Nozzle	Stainless Steel
4	O-rings	Elastomer
5	Springs	Stainless Steel

Item	Part	Material
6	Nozzle Segments	Stainless Steel
7	Cover	Plastic
8	Handle	Aluminium
9	Lever	Aluminium

## Product Information

Product tested to ANSI NGV1:2017 and ISO 14469:2017

SAE end connections are standard configuration and conform to SAE J1926-1

Custom adaptors can be supplied to suit your application

All products are manufactured to ISO 9001 standards

## Features & Benefits

High flow design allows faster and more complete filling

Ergonomic, light weight and easy to use

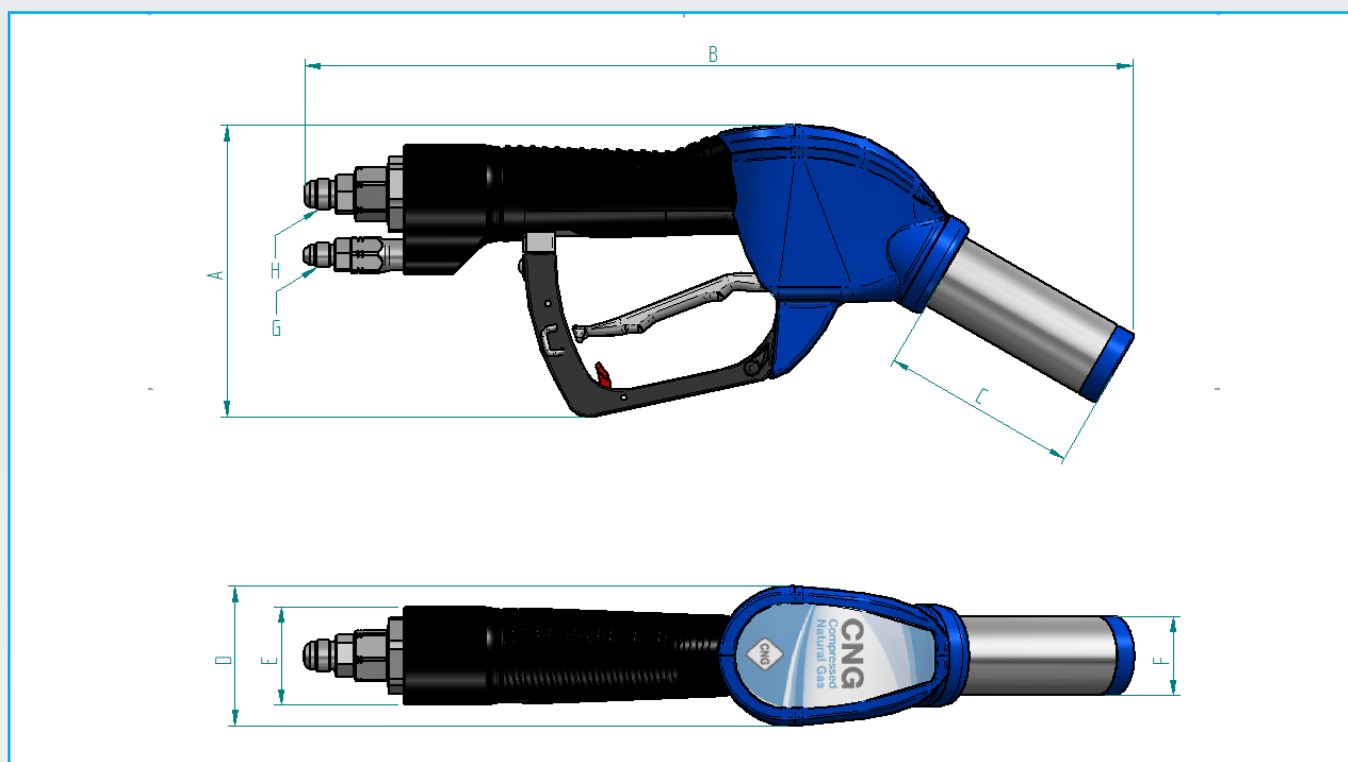
Visual coupled indicator

Lever locking handle gives peace of mind for secured connection

Smooth acting 360° twin hose swivel



## N-CNG Series CNG Nozzles



### Product Specification

Part Code	Colour	Mass lb (kg)	Service Pressure bar (psi)	Min. Operating Pressure bar (psi) *	Max. Allowable Working Pressure bar (psi) **	Min. Temp. °F (°C)	Max Temp. °F (°C)	Cv
N-CNG P30	Blue	3.7 (1.7)	207 (3000)	5 (72.5)	312.5 (4532)	-40 (-40)	185 (85)	1.0

\* Minimum pressure at which product will operate optimally

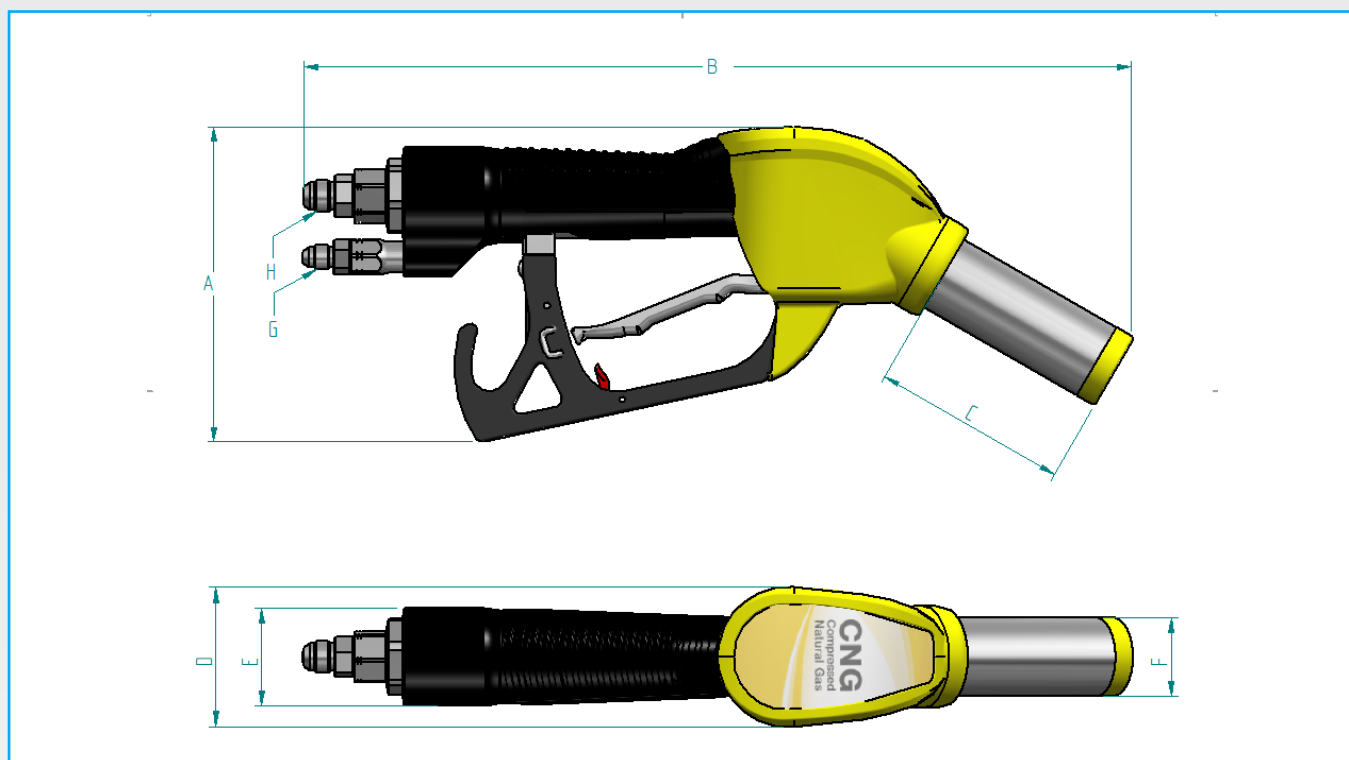
\*\* The maximum allowable pressure at which the product can operate

### Dimensions Inch (mm)

Part Code	Size	A	B	C	D	Ø E	F	G (Vent Thread)	H (Inlet Thread)
N-CNG P30-J3MILAA	3/8"	5.3(134.1)	14.9(377.6)	3.8(96)	2.5(64)	1.8(45)	1.4(36)	1/4" JIC	3/8" JIC
N-CNG P30-S3MILAA	3/8"	5.3(134.1)	14.0(354.6)	3.8(96)	2.5(64)	1.8(45)	1.4(36)	1/4" SAE	3/8" SAE



## N-CNG Series CNG Nozzles



### Product Specification

Part Code	Colour	Mass lb (kg)	Service Pressure bar (psi)	Min. Operating Pressure bar (psi) *	Max. Allowable Working Pressure bar (psi) **	Min. Temp. °F (°C)	Max Temp. °F (°C)	Cv
N-CNG P36	Yellow	3.7 (1.7)	250 (3626)	5 (72.5)	312.5 (4532)	-40 (-40)	185 (85)	1.0

\* Minimum pressure at which product will operate optimally

\*\* The maximum allowable pressure at which the product can operate

### Dimensions Inch (mm)

Part Code	Size	A	B	C	D	Ø E	F	G (Vent Thread)	H (Inlet Thread)
N-CNG P36-J4MILCB	3/8"	5.7(144)	14.9(377.6)	3.8(96)	2.5(64)	1.8(45)	1.4(36)	1/4" JIC	3/8" JIC
N-CNG P36-S4MILCB	3/8"	5.7(144)	14.0(354.6)	3.8(96)	2.5(64)	1.8(45)	1.4(36)	1/4" SAE	3/8" SAE