



Member of the ELAFLEX Group



Locking Handle Installation Instructions

**For Ball Valve:
BV702**



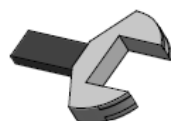
BV702-LH

**For Ball Valves:
BV703 - BV704 - BV706 - BV708**



**BV703-LH
BV706-LH**

Tools Required

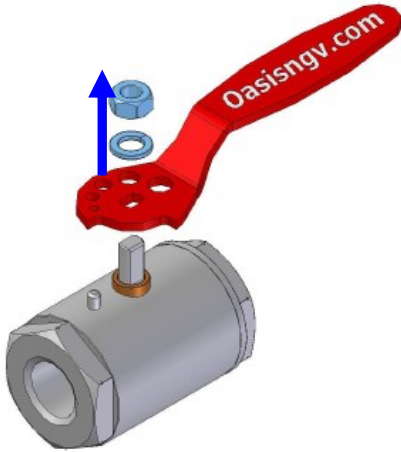


**Spanner
(Wrenches)**

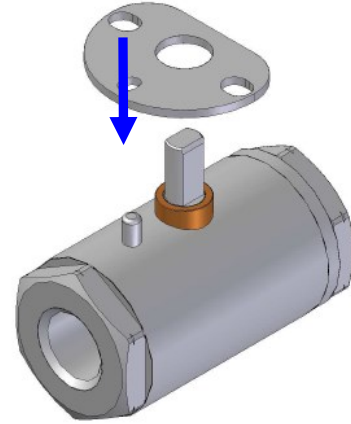
Oasis Engineering Ltd
129 Birch Avenue, Tauranga, New Zealand.
T: +64 7 928 3808 F: +64 7 928 3809
E: info@oasisngv.com
W: www.OasisNGV.com

INSTRUCTIONS FOR BV703 - BV704 - BV706 - BV708

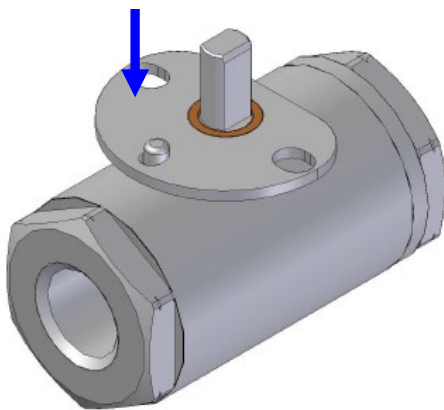
1. Remove handle.



2. Install locking plate.



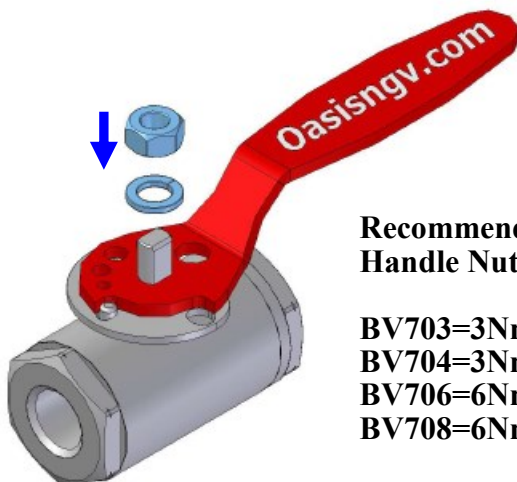
3.



4.



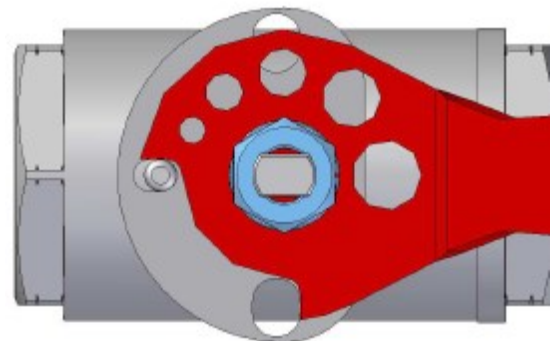
5. Re-install handle.



**Recommended
Handle Nut Torques:**

**BV703=3Nm
BV704=3Nm
BV706=6Nm
BV708=6Nm**

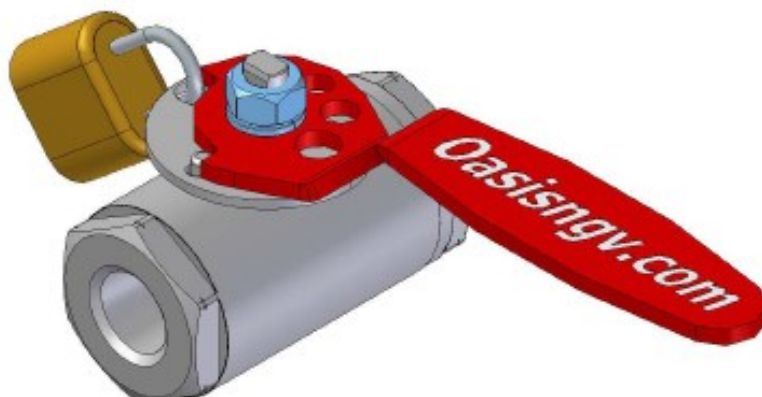
6.



BALL VALVE LOCKED OPEN

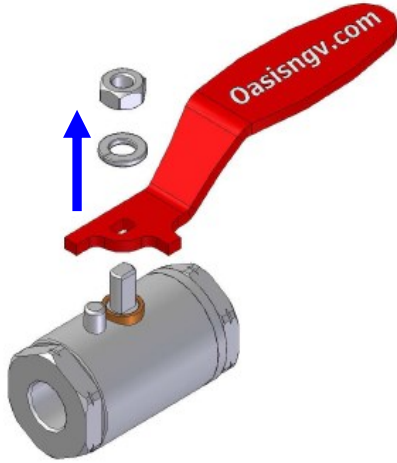


BALL VALVE LOCKED CLOSE



INSTRUCTIONS FOR BV702

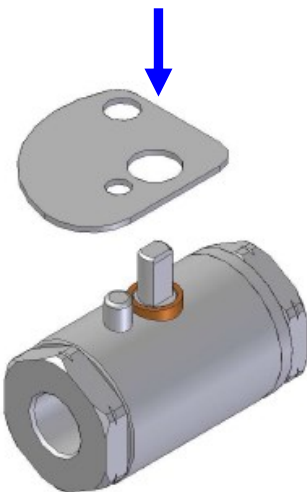
1. Remove handle.



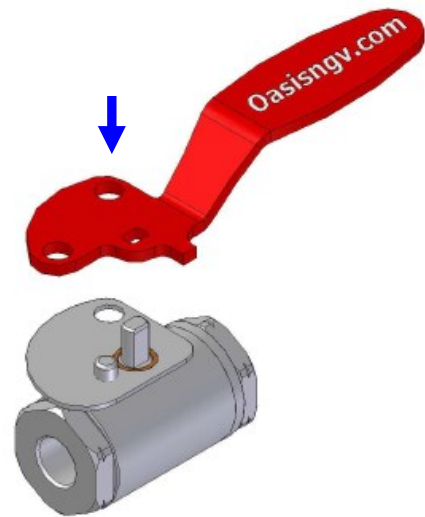
2.



3. Install locking plate.



4.

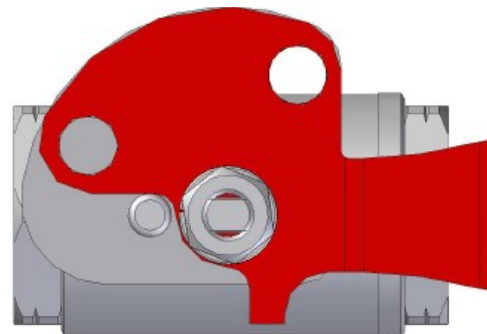


5. Re-install handle



**Recommended
Handle Nut Torques:
BV702=3Nm**

6.



LOCKED OPEN



LOCK CLOSE

