



100 Series Cylinder Valve TH104 - NGV3.1:2014

Applications

Suitable for CNG, Hydrogen, Helium, Bio-Gas and Air.

Bulk gas trailers (cylinders or spheres).

Bulk gas cylinder storage stacks.

Gas vehicle cylinder stacks.

Fast fill cylinder stacks.

Product Information

All products are manufactured to ISO 9001 standards.

Product is certified to ANSI/AGA NGV 3.1:2014.

Quarter turn handle.

Can be manufactured to your specifications, contact us for details.

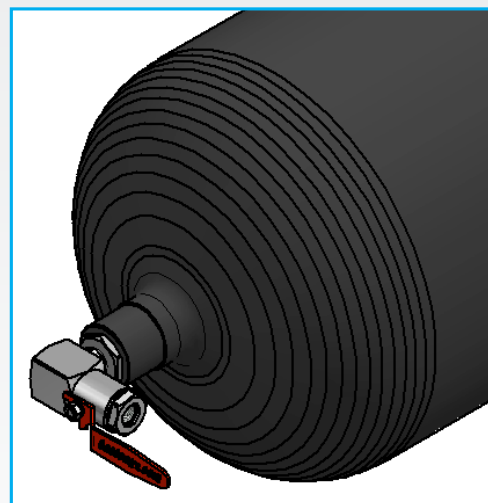
Other end cap and cylinder fitting options available.

More product information available online at oasisngv.com/resources.

Includes a live PRD port, PRD not included.



TH104 - 1/2" Cylinder Valve



Fitted Cylinder Valve

Materials

Part	Material
Body/Cap	304 Stainless steel
Handle	304 Stainless Steel
Ball and Stem	316 Stainless steel
O-rings	Nitrile
Seats and Glands	Delrin

Product Specification

Part Code	Size	Mass lb (kg)	Min. Operating Pressure psi (bar) *	Max. Operating Pressure bar (psi) **	Min. Temp. °F (°C)	Max. Temp. °F (°C)	Cycles Before Rekit ^	Stem Open Torque ft-lb (Nm) ^^	Cv	Service Kit #
TH104-42A7410	1/2"	2.4 (1.1)	90 (6.2)	410 (6000)	-40 (-40)	185 (85)	2 Years	3.3 (4.5)	6.7	TH104-SK2
TH104-42B1210	1/2"	2.4 (1.1)	90 (6.2)	410 (6000)	-40 (-40)	185 (85)	2 Years	3.3 (4.5)	6.7	TH104-SK2

* Minimum pressure that the product will hold constant bubble tight seal.

** Maximum pressure at which the product can continuously operate at.

^ It is recommended that the cylinder valve is re-kitted on or before the maximum number of allowable cycles.

^^ Opening torque at 6,000 psi.

Use TH104-SK2 for TH104-42B1210 only. For obsolete TH104 valves use TH104-SK1 service kit, if unsure please contact Oasis.



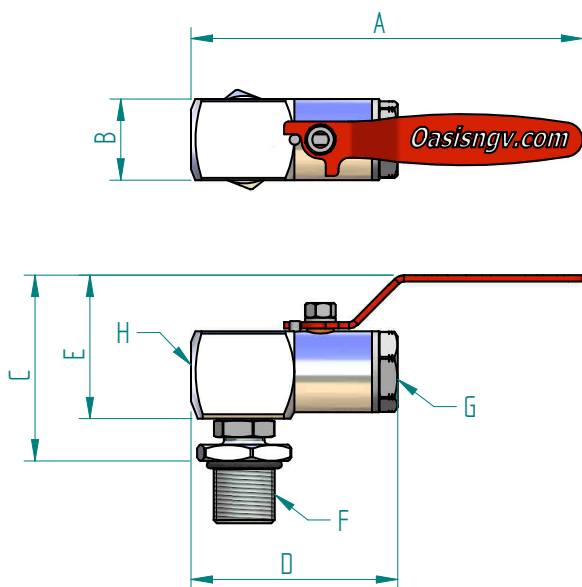
100 Series Cylinder Valve TH104 - NGV3.1:2014

Dimensions: Imperial (Metric mm)

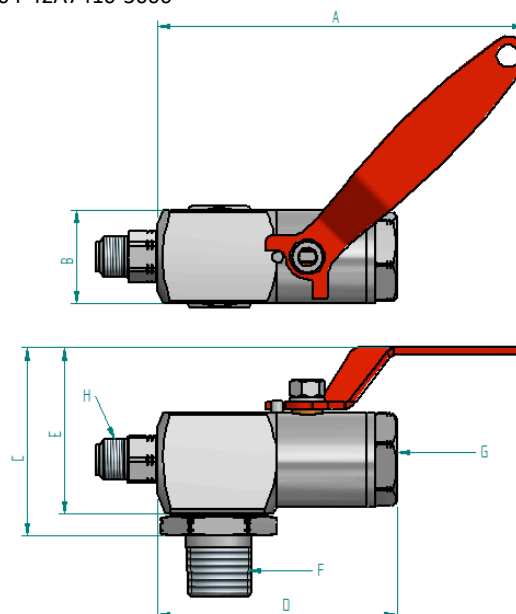
Part Code	A	B	C	D	E
TH104-42B1210-1000	7.24" (184)	1.49" (38)	3.43" (87)	3.86" (97)	2.64" (67)
TH104-42A7410-3000	5.85" (148.63)	1.49" (38)	3" (76.12)	3.86" (97)	2.65" (67.12)

Part Code	F (CYLINDER) MALE THREAD	G (END CAP) FEMALE THREAD	H	PRD TYPE
TH104-42B1210-1000	1 1/8-12 UNF	3/4-16 SAE	PRD PORT 9/16-18 SAE FEMALE THREAD	CUSTOMER SUPPLIED REMOTE PRD
TH104-42A7410-3000	3/4" NPT	3/4-16 SAE	PRD ADAPTOR 0.650-19 UNS MALE THREAD	CUSTOMER SUPPLIED TO FIT .650-19 UNS ADAPTOR

TH104-42B1210-1000



TH104-42A7410-3000





100 Series Cylinder Valve TH104 - NGV3.1:2014

Oasis Cylinder Valve vs Standard Wheel Valve Flow Area Comparison

