



# 700 Series Ball Valves - With Vent

## Applications

CNG Compressors, Dispensers, Priority Panels, Isolation Valves and storage. Allows venting of down stream gas for servicing. Suitable for use with CNG, Hydrogen, Helium, Bio-Gas, Nitrogen, Air and other gases on enquiry.



BV706-4E6LDDN-1000 - 3/4" Ball Valve With Vent Valve

## Materials

Item	Part	Material
1	Body	304 Stainless steel
2	Cap	304 Stainless steel
3	Stem	316 Stainless steel
4	Ball	316 Stainless steel
5	Seats	Delrin

Item	Part	Material
6	Seat O-rings	Nitrile
7	Gland & Thrust	Delrin
8	Body O-rings	Nitrile
9	Stem O-rings	Nitrile
10	Handle	304 Stainless Steel

## Product Information

Custom handle options available on request.

NPT and SAE threaded ports available from stock. Other thread types available upon request.

NPT threads conform to ASME B1.20.1.

SAE threads conform to SAE J1926-1.

Complies to PED 2014/68/EU.

CRN (OC12117.2C) approved for all provinces.

May be suitable for other gases not listed above.

Vent as pictured optional.

Vent port supplied in position shown only.

All products are manufactured to ISO 9001 standards.

Video servicing instructions available online at [www.OasisNGV.com/resources](http://www.OasisNGV.com/resources).

## Features & Benefits

The 700 Series Ball Valve is a FULL FLOW, Anti Blowout stem, all stainless steel certified bar stock, two-piece, serviceable valve.

Service kits are readily available & easy to install.

CNC machining allows tighter tolerances to be maintained, which extends the working life of the components.

The complete Oasis range has been cycle tested to ensure LOWEST LIFE COST.

Allows downstream venting for maintenance, such as PRD servicing.



# 700 Series Ball Valves - With Vent

## NPT Product Specification

Part Code	Mass lb (kg)	Min. Operating Pressure bar (psi) *	Max. Operating Pressure bar (psi) **	Min. Temp. °F (°C)	Max Temp. °F (°C)	Cycles Before Rekit <sup>^</sup>	Stem Open Torque ft-lb (Nm) <sup>^^</sup>	Cv	Service Kit
BV706-4E6LDDN-1000	5.5 (2.5)	0.5 (7)	410 (6000)	-40 (-40)	185 (85)	100,000	22.8 (31)	31	BV706-SK6LDDN
BV706-4K6LDDN-1000	5.5 (2.5)	0.5 (7)	410 (6000)	-40 (-40)	185 (85)	100,000	22.8 (31)	31	BV706-SK6LDDN
BV708-4E6LDDN-1000	8.1 (3.7)	0.5 (7)	410 (6000)	-40 (-40)	185 (85)	100,000	32.4 (44)	44.5	BV708-SK6LDDN
BV708-4K6LDDN-1000	8.1 (3.7)	0.5 (7)	410 (6000)	-40 (-40)	185 (85)	100,000	32.4 (44)	44.5	BV708-SK6LDDN

\* Minimum system pressure the product will hold constant bubble tight seal.

\*\* Maximum pressure at which the product can constantly operate at.

<sup>^</sup> It is recommended that the ball valve is re-kitted on or before the maximum number of allowable cycles.

<sup>^^</sup> Opening torque at 6,000 psi

## SAE Product Specification

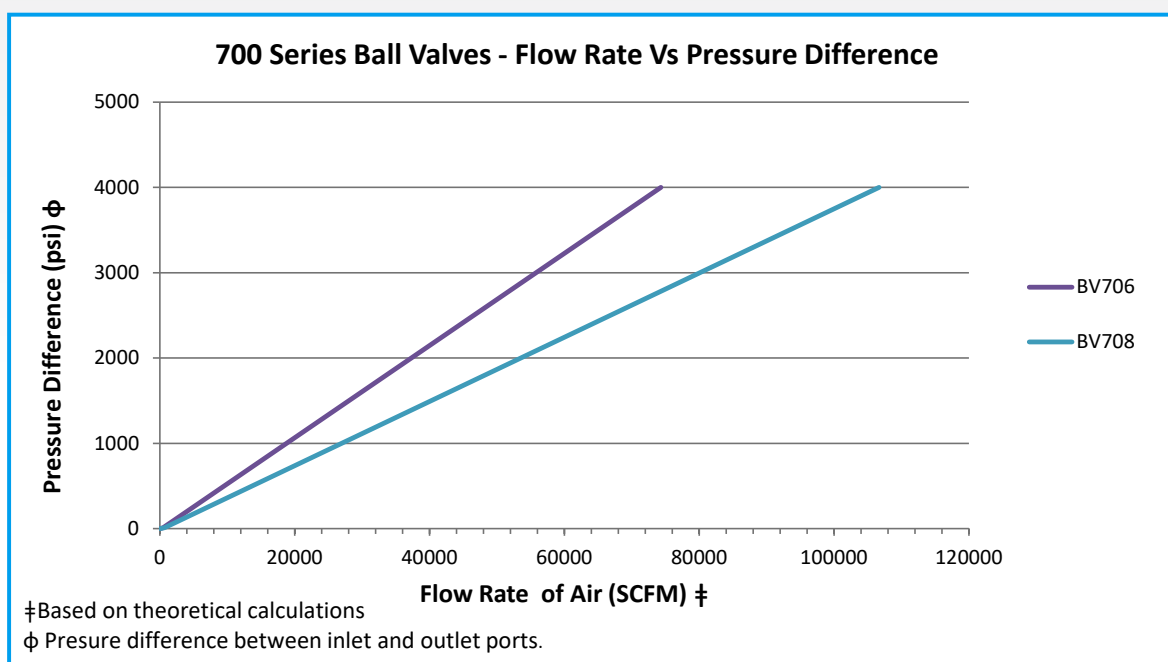
Part Code	Mass lb (kg)	Min. Operating Pressure bar (psi) *	Max. Operating Pressure bar (psi) **	Min. Temp. °F (°C)	Max Temp. °F (°C)	Cycles Before Rekit <sup>^</sup>	Stem Open Torque ft-lb (Nm) <sup>^^</sup>	Cv	Service Kit
BV706-4I6LDDN-1000	5.5 (2.5)	0.5 (7)	410 (6000)	-40 (-40)	185 (85)	100,000	22.8 (31)	31	BV706-SK6LDDN-S
BV706-4Q6LDDN-1000	5.5 (2.5)	0.5 (7)	410 (6000)	-40 (-40)	185 (85)	100,000	22.8 (31)	31	BV706-SK6LDDN-S
BV708-4I6LDDN-1000	8.1 (3.7)	0.5 (7)	410 (6000)	-40 (-40)	185 (85)	100,000	32.4 (44)	44.5	BV708-SK6LDDN-S
BV708-4Q6LDDN-1000	8.1 (3.7)	0.5 (7)	410 (6000)	-40 (-40)	185 (85)	100,000	32.4 (44)	44.5	BV708-SK6LDDN-S

\* Minimum system pressure the product will hold constant bubble tight seal.

\*\* Maximum pressure at which the product can constantly operate at.

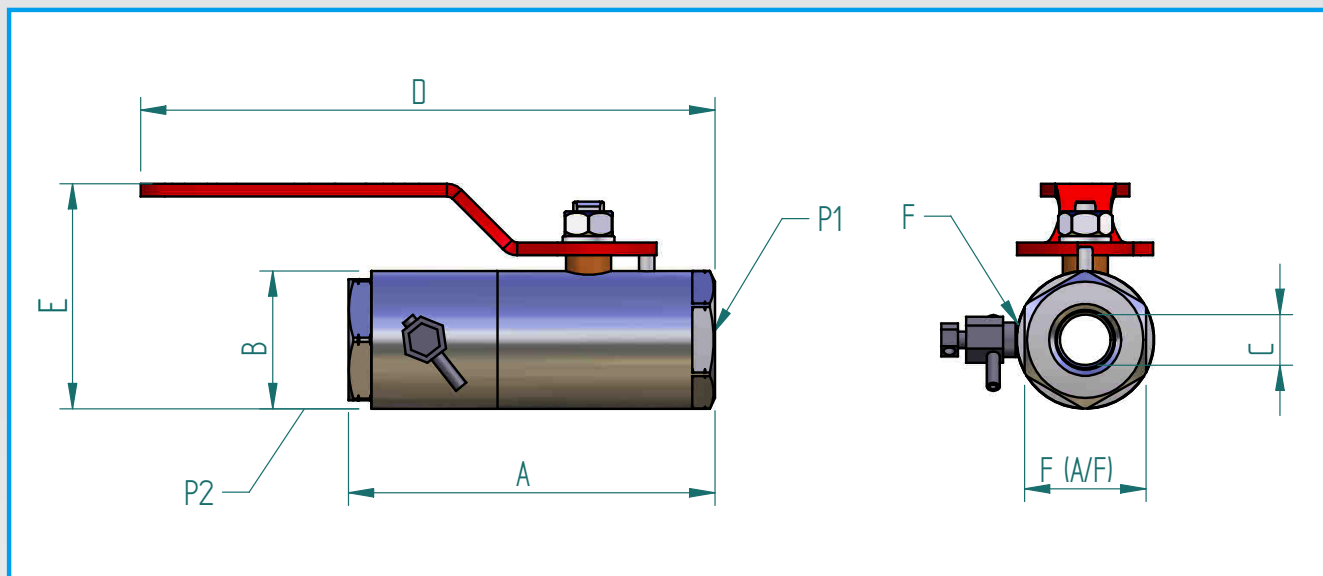
<sup>^</sup> It is recommended that the ball valve is re-kitted on or before the maximum number of allowable cycles.

<sup>^^</sup> Opening torque at 6,000 psi





## 700 Series Ball Valves - With Vent



### NPT Dimensions Inch (mm)

Part Code	Size	A	B	Ø C	D	E	F	Ports P1 & P2	F (A/F)
BV706-4E6LDDN-1000	3/4"	5.7" (145)	2.16" (55)	.78"(20)	8.94" (227)	3.5" (89)	Vent Valve	3/4" NPT Female	1.9" (48)
BV706-4K6LDDN-1000	3/4"	5.7" (145)	2.16" (55)	.78"(20)	8.94" (227)	3.5" (89)	1/4" FNPT	3/4" NPT Female	1.9" (48)
BV708-4E6LDDN-1000	1"	5.67" (144)	2.72" (69)	1.02"(26)	9.13" (232)	4.02" (102)	Vent Valve	1" NPT Female	2.36" (60)
BV708-4K6LDDN-1000	1"	5.67" (144)	2.72" (69)	1.02"(26)	9.13" (232)	4.02" (102)	1/4" FNPT	1" NPT Female	2.36" (60)

### SAE Dimensions Inch (mm)

Part Code	Size	A	B	Ø C	D	E	F	Ports P1 & P2	F (A/F)
BV706-4I6LDDN-1000	3/4"	5.7" (145)	2.16" (55)	.78"(20)	8.94" (227)	3.5" (89)	Vent Valve	1 1/16"-12 SAE Female	1.9" (48)
BV706-4Q6LDDN-1000	3/4"	5.7" (145)	2.16" (55)	.78"(20)	8.94" (227)	3.5" (89)	1/4" FNPT	1 1/16"-12 SAE Female	1.9" (48)
BV708-4I6LDDN-1000	1"	5.67" (144)	2.72" (69)	1.02"(26)	9.13" (232)	4.02" (102)	Vent Valve	1 5/16"-12 SAE Female	2.36" (60)
BV708-4Q6LDDN-1000	1"	5.67" (144)	2.72" (69)	1.02"(26)	9.13" (232)	4.02" (102)	1/4" FNPT	1 5/16"-12 SAE Female	2.36" (60)